



Новая линейка твердосплавных сверл глубиной сверления 3D, 5D, 8D

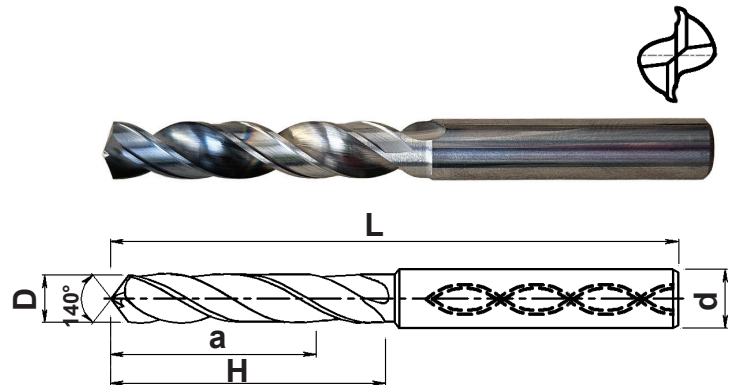
СКИФ-М ООО
308009 Белгород ул. Волчанская 159
Тел.: +7 4722-213285 Факс: +7 4722-568149
E-mail: info@skif-m.net www.skif-m.net



DT170V...3D...IK

Твердосплавные спиральные сверла с подводом СОЖ

D±	диапазон	мм
	D ≤ 12	
D > 12		-0,03
d±	≤ 3	+0,012 +0,002
	3 < d ≤ 6	+0,016 +0,004
	6 < d ≤ 10	+0,021 +0,006
	10 < d ≤ 18	+0,025 +0,007
	18 < d ≤ 30	+0,029 +0,008



Цилиндрический хвостовик DIN 1835A

Обозначение		Размеры, мм			
		D	d	H	L
DT170V-003Z06R02-3D-L062-ИК	TAS	3.0	6	20	62
DT170V-003.1Z06R02-3D-L062-ИК	TAS	3.1	6	20	62
DT170V-003.2Z06R02-3D-L062-ИК	TAS	3.2	6	20	62
DT170V-003.3Z06R02-3D-L062-ИК	TAS	3.3	6	20	62
DT170V-003.4Z06R02-3D-L062-ИК	TAS	3.4	6	20	62
DT170V-003.5Z06R02-3D-L062-ИК	TAS	3.5	6	20	62
DT170V-003.6Z06R02-3D-L062-ИК	TAS	3.6	6	20	62
DT170V-003.7Z06R02-3D-L062-ИК	TAS	3.7	6	20	62
DT170V-003.8Z06R02-3D-L066-ИК	TAS	3.8	6	24	66
DT170V-003.9Z06R02-3D-L066-ИК	TAS	3.9	6	24	66
DT170V-004Z06R02-3D-L066-ИК	TAS	4.0	6	24	66
DT170V-004.1Z06R02-3D-L066-ИК	TAS	4.1	6	24	66
DT170V-004.2Z06R02-3D-L066-ИК	TAS	4.2	6	24	66
DT170V-004.3Z06R02-3D-L066-ИК	TAS	4.3	6	24	66
DT170V-004.4Z06R02-3D-L066-ИК	TAS	4.4	6	24	66
DT170V-004.5Z06R02-3D-L066-ИК	TAS	4.5	6	24	66
DT170V-004.6Z06R02-3D-L066-ИК	TAS	4.6	6	24	66
DT170V-004.7Z06R02-3D-L066-ИК	TAS	4.7	6	24	66
DT170V-004.8Z06R02-3D-L066-ИК	TAS	4.8	6	28	66
DT170V-004.9Z06R02-3D-L066-ИК	TAS	4.9	6	28	66
DT170V-005Z06R02-3D-L066-ИК	TAS	5.0	6	28	66
DT170V-005.1Z06R02-3D-L066-ИК	TAS	5.1	6	28	66
DT170V-005.2Z06R02-3D-L066-ИК	TAS	5.2	6	28	66
DT170V-005.3Z06R02-3D-L066-ИК	TAS	5.3	6	28	66
DT170V-005.4Z06R02-3D-L066-ИК	TAS	5.4	6	28	66
DT170V-005.5Z06R02-3D-L066-ИК	TAS	5.5	6	28	66
DT170V-005.6Z06R02-3D-L066-ИК	TAS	5.6	6	28	66
DT170V-005.7Z06R02-3D-L066-ИК	TAS	5.7	6	28	66
DT170V-005.8Z06R02-3D-L066-ИК	TAS	5.8	6	28	66
DT170V-005.9Z06R02-3D-L066-ИК	TAS	5.9	6	28	66
DT170V-006Z06R02-3D-L066-ИК	TAS	6.0	6	28	66
DT170V-006.1Z08R02-3D-L079-ИК	TAS	6.1	8	34	79
DT170V-006.2Z08R02-3D-L079-ИК	TAS	6.2	8	34	79
DT170V-006.3Z08R02-3D-L079-ИК	TAS	6.3	8	34	79
DT170V-006.4Z08R02-3D-L079-ИК	TAS	6.4	8	34	79
DT170V-006.5Z08R02-3D-L079-ИК	TAS	6.5	8	34	79
DT170V-006.6Z08R02-3D-L079-ИК	TAS	6.6	8	34	79
DT170V-006.7Z08R02-3D-L079-ИК	TAS	6.7	8	34	79
DT170V-006.8Z08R02-3D-L079-ИК	TAS	6.8	8	34	79
DT170V-006.9Z08R02-3D-L079-ИК	TAS	6.9	8	34	79
DT170V-007Z08R02-3D-L079-ИК	TAS	7.0	8	34	79
DT170V-007.1Z08R02-3D-L079-ИК	TAS	7.1	8	41	79
DT170V-007.2Z08R02-3D-L079-ИК	TAS	7.2	8	41	79

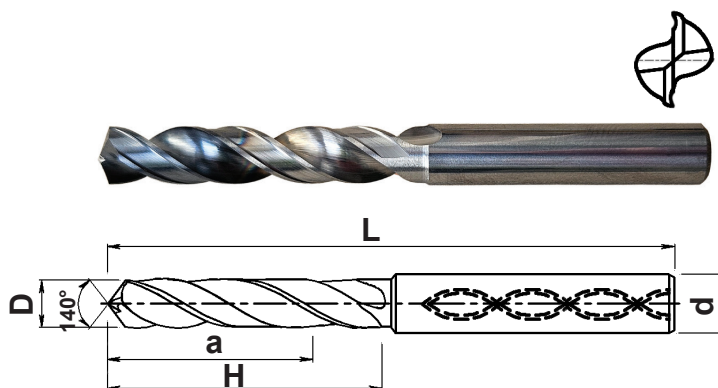
Максимальная глубина сверления a=H-1,5xD

Обозначение		Размеры, мм			
		D	d	H	L
DT170V-007.3Z08R02-3D-L079-ИК	TAS	7.3	8	41	79
DT170V-007.4Z08R02-3D-L079-ИК	TAS	7.4	8	41	79
DT170V-007.5Z08R02-3D-L079-ИК	TAS	7.5	8	41	79
DT170V-007.6Z08R02-3D-L079-ИК	TAS	7.6	8	41	79
DT170V-007.7Z08R02-3D-L079-ИК	TAS	7.7	8	41	79
DT170V-007.8Z08R02-3D-L079-ИК	TAS	7.8	8	41	79
DT170V-007.9Z08R02-3D-L079-ИК	TAS	7.9	8	41	79
DT170V-008Z08R02-3D-L079-ИК	TAS	8.0	8	41	79
DT170V-008.1Z10R02-3D-L089-ИК	TAS	8.1	10	47	89
DT170V-008.2Z10R02-3D-L089-ИК	TAS	8.2	10	47	89
DT170V-008.3Z10R02-3D-L089-ИК	TAS	8.3	10	47	89
DT170V-008.4Z10R02-3D-L089-ИК	TAS	8.4	10	47	89
DT170V-008.5Z10R02-3D-L089-ИК	TAS	8.5	10	47	89
DT170V-008.6Z10R02-3D-L089-ИК	TAS	8.6	10	47	89
DT170V-008.7Z10R02-3D-L089-ИК	TAS	8.7	10	47	89
DT170V-008.8Z10R02-3D-L089-ИК	TAS	8.8	10	47	89
DT170V-008.9Z10R02-3D-L089-ИК	TAS	8.9	10	47	89
DT170V-009Z10R02-3D-L089-ИК	TAS	9.0	10	47	89
DT170V-009.1Z10R02-3D-L089-ИК	TAS	9.1	10	47	89
DT170V-009.2Z10R02-3D-L089-ИК	TAS	9.2	10	47	89
DT170V-009.3Z10R02-3D-L089-ИК	TAS	9.3	10	47	89
DT170V-009.4Z10R02-3D-L089-ИК	TAS	9.4	10	47	89
DT170V-009.5Z10R02-3D-L089-ИК	TAS	9.5	10	47	89
DT170V-009.6Z10R02-3D-L089-ИК	TAS	9.6	10	47	89
DT170V-009.7Z10R02-3D-L089-ИК	TAS	9.7	10	47	89
DT170V-009.8Z10R02-3D-L089-ИК	TAS	9.8	10	47	89
DT170V-009.9Z10R02-3D-L089-ИК	TAS	9.9	10	47	89
DT170V-010Z12R02-3D-L089-ИК	TAS	10.0	10	47	89
DT170V-010.1Z12R02-3D-L102-ИК	TAS	10.1	12	55	102
DT170V-010.2Z12R02-3D-L102-ИК	TAS	10.2	12	55	102
DT170V-010.3Z12R02-3D-L102-ИК	TAS	10.3	12	55	102
DT170V-010.4Z12R02-3D-L102-ИК	TAS	10.4	12	55	102
DT170V-010.5Z12R02-3D-L102-ИК	TAS	10.5	12	55	102
DT170V-010.6Z12R02-3D-L102-ИК	TAS	10.6	12	55	102
DT170V-010.7Z12R02-3D-L102-ИК	TAS	10.7	12	55	102
DT170V-010.8Z12R02-3D-L102-ИК	TAS	10.8	12	55	102
DT170V-010.9Z12R02-3D-L102-ИК	TAS	10.9	12	55	102
DT170V-011Z12R02-3D-L102-ИК	TAS	11.0	12	55	102
DT170V-011.1Z12R02-3D-L102-ИК	TAS	11.1	12	55	102
DT170V-011.2Z12R02-3D-L102-ИК	TAS	11.2	12	55	102
DT170V-011.3Z12R02-3D-L102-ИК	TAS	11.3	12	55	102
DT170V-011.4Z12R02-3D-L102-ИК	TAS	11.4	12	55	102
DT170V-011.5Z12R02-3D-L102-ИК	TAS	11.5	12	55	102

DT170V...3D...IK

Твердосплавные спиральные сверла с подводом СОЖ

D±	диапазон	мм
	D ≤ 12	
D > 12		-0,03
d±	≤ 3	+0,012 +0,002
	3 < d ≤ 6	+0,016 +0,004
	6 < d ≤ 10	+0,021 +0,006
	10 < d ≤ 18	+0,025 +0,007
	18 < d ≤ 30	+0,029 +0,008



Цилиндрический хвостовик DIN 1835A

Обозначение		Размеры, мм			
		D	d	H	L
DT170V-011.6Z12R02-3D-L102-ИК	TAS	11.6	12	55	102
DT170V-011.7Z12R02-3D-L102-ИК	TAS	11.7	12	55	102
DT170V-011.8Z12R02-3D-L102-ИК	TAS	11.8	12	55	102
DT170V-011.9Z12R02-3D-L102-ИК	TAS	11.9	12	55	102
DT170V-012Z12R02-3D-L102-ИК	TAS	12.0	12	55	102
DT170V-012.1Z14R02-3D-L107-ИК	TAS	12.1	14	60	107
DT170V-012.2Z14R02-3D-L107-ИК	TAS	12.2	14	60	107
DT170V-012.3Z14R02-3D-L107-ИК	TAS	12.3	14	60	107
DT170V-012.4Z14R02-3D-L107-ИК	TAS	12.4	14	60	107
DT170V-012.5Z14R02-3D-L107-ИК	TAS	12.5	14	60	107
DT170V-012.6Z14R02-3D-L107-ИК	TAS	12.6	14	60	107
DT170V-012.7Z14R02-3D-L107-ИК	TAS	12.7	14	60	107
DT170V-012.8Z14R02-3D-L107-ИК	TAS	12.8	14	60	107
DT170V-012.9Z14R02-3D-L107-ИК	TAS	12.9	14	60	107
DT170V-013Z12R02-3D-L107-ИК	TAS	13.0	14	60	107
DT170V-013.1Z14R02-3D-L107-ИК	TAS	13.1	14	60	107
DT170V-013.2Z14R02-3D-L107-ИК	TAS	13.2	14	60	107
DT170V-013.3Z14R02-3D-L107-ИК	TAS	13.3	14	60	107
DT170V-013.4Z14R02-3D-L107-ИК	TAS	13.4	14	60	107
DT170V-013.5Z14R02-3D-L107-ИК	TAS	13.5	14	60	107
DT170V-013.6Z14R02-3D-L107-ИК	TAS	13.6	14	60	107
DT170V-013.7Z14R02-3D-L107-ИК	TAS	13.7	14	60	107
DT170V-013.8Z14R02-3D-L107-ИК	TAS	13.8	14	60	107
DT170V-013.9Z14R02-3D-L107-ИК	TAS	13.9	14	60	107
DT170V-014Z12R02-3D-L107-ИК	TAS	14.0	14	60	107
DT170V-014.1Z14R02-3D-L115-ИК	TAS	14.1	16	65	115
DT170V-014.2Z14R02-3D-L115-ИК	TAS	14.2	16	65	115
DT170V-014.3Z16R02-3D-L115-ИК	TAS	14.3	16	65	115
DT170V-014.4Z16R02-3D-L115-ИК	TAS	14.4	16	65	115
DT170V-014.5Z16R02-3D-L115-ИК	TAS	14.5	16	65	115
DT170V-014.6Z16R02-3D-L115-ИК	TAS	14.6	16	65	115
DT170V-014.7Z16R02-3D-L115-ИК	TAS	14.7	16	65	115
DT170V-014.8Z16R02-3D-L115-ИК	TAS	14.8	16	65	115
DT170V-014.9Z16R02-3D-L115-ИК	TAS	14.9	16	65	115
DT170V-015Z16R02-3D-L115-ИК	TAS	15.0	16	65	115
DT170V-015.1Z16R02-3D-L115-ИК	TAS	15.1	16	65	115
DT170V-015.2Z16R02-3D-L115-ИК	TAS	15.2	16	65	115
DT170V-015.3Z16R02-3D-L115-ИК	TAS	15.3	16	65	115
DT170V-015.4Z16R02-3D-L115-ИК	TAS	15.4	16	65	115
DT170V-015.5Z16R02-3D-L115-ИК	TAS	15.5	16	65	115
DT170V-015.6Z16R02-3D-L115-ИК	TAS	15.6	16	65	115
DT170V-015.7Z16R02-3D-L115-ИК	TAS	15.7	16	65	115
DT170V-015.8Z16R02-3D-L115-ИК	TAS	15.8	16	65	115

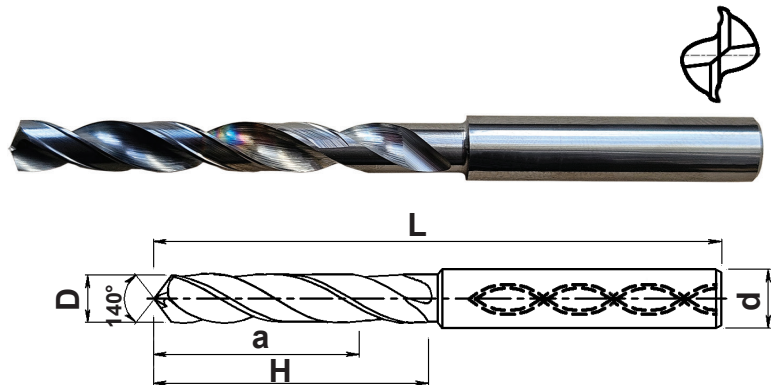
Максимальная глубина сверления a=H-1,5xD

Обозначение		Размеры, мм			
		D	d	H	L
DT170V-015.9Z16R02-3D-L115-ИК	TAS	15.9	16	65	115
DT170V-016Z16R02-3D-L115-ИК	TAS	16.0	16	65	115
DT170V-016.1Z18R02-3D-L123-ИК	TAS	16.1	18	73	123
DT170V-016.2Z18R02-3D-L123-ИК	TAS	16.2	18	73	123
DT170V-016.3Z18R02-3D-L123-ИК	TAS	16.3	18	73	123
DT170V-016.4Z18R02-3D-L123-ИК	TAS	16.4	18	73	123
DT170V-016.5Z18R02-3D-L123-ИК	TAS	16.5	18	73	123
DT170V-016.6Z18R02-3D-L123-ИК	TAS	16.6	18	73	123
DT170V-016.7Z18R02-3D-L123-ИК	TAS	16.7	18	73	123
DT170V-016.8Z18R02-3D-L123-ИК	TAS	16.8	18	73	123
DT170V-016.9Z18R02-3D-L123-ИК	TAS	16.9	18	73	123
DT170V-017Z18R02-3D-L123-ИК	TAS	17.0	18	73	123
DT170V-017.1Z18R02-3D-L123-ИК	TAS	17.1	18	73	123
DT170V-017.2Z18R02-3D-L123-ИК	TAS	17.2	18	73	123
DT170V-017.3Z18R02-3D-L123-ИК	TAS	17.3	18	73	123
DT170V-017.4Z18R02-3D-L123-ИК	TAS	17.4	18	73	123
DT170V-017.5Z18R02-3D-L123-ИК	TAS	17.5	18	73	123
DT170V-017.6Z18R02-3D-L123-ИК	TAS	17.6	18	73	123
DT170V-017.7Z18R02-3D-L123-ИК	TAS	17.7	18	73	123
DT170V-017.8Z18R02-3D-L123-ИК	TAS	17.8	18	73	123
DT170V-017.9Z18R02-3D-L123-ИК	TAS	17.9	18	73	123
DT170V-018Z18R02-3D-L123-ИК	TAS	18.0	18	73	123
DT170V-018.1Z20R02-3D-L131-ИК	TAS	18.1	20	79	131
DT170V-018.2Z20R02-3D-L131-ИК	TAS	18.2	20	79	131
DT170V-018.3Z20R02-3D-L131-ИК	TAS	18.3	20	79	131
DT170V-018.4Z20R02-3D-L131-ИК	TAS	18.4	20	79	131
DT170V-018.5Z20R02-3D-L131-ИК	TAS	18.5	20	79	131
DT170V-018.6Z20R02-3D-L131-ИК	TAS	18.6	20	79	131
DT170V-018.7Z20R02-3D-L131-ИК	TAS	18.7	20	79	131
DT170V-018.8Z20R02-3D-L131-ИК	TAS	18.8	20	79	131
DT170V-018.9Z20R02-3D-L131-ИК	TAS	18.9	20	79	131
DT170V-019Z20R02-3D-L131-ИК	TAS	19.0	20	79	131
DT170V-019.1Z20R02-3D-L131-ИК	TAS	19.1	20	79	131
DT170V-019.2Z20R02-3D-L131-ИК	TAS	19.2	20	79	131
DT170V-019.3Z20R02-3D-L131-ИК	TAS	19.3	20	79	131
DT170V-019.4Z20R02-3D-L131-ИК	TAS	19.4	20	79	131
DT170V-019.5Z20R02-3D-L131-ИК	TAS	19.5	20	79	131
DT170V-019.6Z20R02-3D-L131-ИК	TAS	19.6	20	79	131
DT170V-019.7Z20R02-3D-L131-ИК	TAS	19.7	20	79	131
DT170V-019.8Z20R02-3D-L131-ИК	TAS	19.8	20	79	131
DT170V-019.9Z20R02-3D-L131-ИК	TAS	19.9	20	79	131
DT170V-020Z20R02-3D-L131-ИК	TAS	20.0	20	79	131

DT170V...5D...IK

Твердосплавные спиральные сверла с подводом СОЖ

	диапазон	мм
	$D \leq 12$	-0,02
$D > 12$	-0,03	
	≤ 3	+0.012 +0.002
	$3 < d \leq 6$	+0.016 +0.004
	$6 < d \leq 10$	+0.021 +0.006
	$10 < d \leq 18$	+0.025 +0.007
	$18 < d \leq 30$	+0.029 +0.008



Цилиндрический хвостовик DIN 1835A

Обозначение		Размеры, мм			
		D	d	H	L
DT170V-003Z06R02-5D-L066-ИК	TAS	3.0	6	28	66
DT170V-003.1Z06R02-5D-L066-ИК	TAS	3.1	6	28	66
DT170V-003.2Z06R02-5D-L066-ИК	TAS	3.2	6	28	66
DT170V-003.3Z06R02-5D-L066-ИК	TAS	3.3	6	28	66
DT170V-003.4Z06R02-5D-L066-ИК	TAS	3.4	6	28	66
DT170V-003.5Z06R02-5D-L066-ИК	TAS	3.5	6	28	66
DT170V-003.6Z06R02-5D-L066-ИК	TAS	3.6	6	28	66
DT170V-003.7Z06R02-5D-L066-ИК	TAS	3.7	6	28	66
DT170V-003.8Z06R02-5D-L074-ИК	TAS	3.8	6	36	74
DT170V-003.9Z06R02-5D-L074-ИК	TAS	3.9	6	36	74
DT170V-004Z06R02-5D-L074-ИК	TAS	4.0	6	36	74
DT170V-004.1Z06R02-5D-L074-ИК	TAS	4.1	6	36	74
DT170V-004.2Z06R02-5D-L074-ИК	TAS	4.2	6	36	74
DT170V-004.3Z06R02-5D-L074-ИК	TAS	4.3	6	36	74
DT170V-004.4Z06R02-5D-L074-ИК	TAS	4.4	6	36	74
DT170V-004.5Z06R02-5D-L074-ИК	TAS	4.5	6	36	74
DT170V-004.6Z06R02-5D-L074-ИК	TAS	4.6	6	36	74
DT170V-004.7Z06R02-5D-L074-ИК	TAS	4.7	6	36	74
DT170V-004.8Z06R02-5D-L082-ИК	TAS	4.8	6	44	82
DT170V-004.9Z06R02-5D-L082-ИК	TAS	4.9	6	44	82
DT170V-005Z06R02-5D-L082-ИК	TAS	5.0	6	44	82
DT170V-005.1Z06R02-5D-L082-ИК	TAS	5.1	6	44	82
DT170V-005.2Z06R02-5D-L082-ИК	TAS	5.2	6	44	82
DT170V-005.3Z06R02-5D-L082-ИК	TAS	5.3	6	44	82
DT170V-005.4Z06R02-5D-L082-ИК	TAS	5.4	6	44	82
DT170V-005.5Z06R02-5D-L082-ИК	TAS	5.5	6	44	82
DT170V-005.6Z06R02-5D-L082-ИК	TAS	5.6	6	44	82
DT170V-005.7Z06R02-5D-L082-ИК	TAS	5.7	6	44	82
DT170V-005.8Z06R02-5D-L082-ИК	TAS	5.8	6	44	82
DT170V-005.9Z06R02-5D-L082-ИК	TAS	5.9	6	44	82
DT170V-006Z06R02-5D-L082-ИК	TAS	6.0	6	44	82
DT170V-006.1Z08R02-5D-L091-ИК	TAS	6.1	8	53	91
DT170V-006.2Z08R02-5D-L091-ИК	TAS	6.2	8	53	91

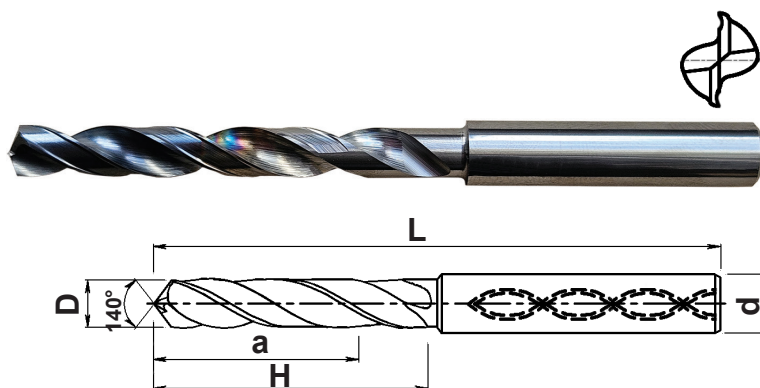
Максимальная глубина сверления $a=H-1,5xD$

Обозначение		Размеры, мм			
		D	d	H	L
DT170V-006.3Z08R02-5D-L091-ИК	TAS	6.3	8	53	91
DT170V-006.4Z08R02-5D-L091-ИК	TAS	6.4	8	53	91
DT170V-006.5Z08R02-5D-L091-ИК	TAS	6.5	8	53	91
DT170V-006.6Z08R02-5D-L091-ИК	TAS	6.6	8	53	91
DT170V-006.7Z08R02-5D-L091-ИК	TAS	6.7	8	53	91
DT170V-006.8Z08R02-5D-L091-ИК	TAS	6.8	8	53	91
DT170V-006.9Z08R02-5D-L091-ИК	TAS	6.9	8	53	91
DT170V-007Z08R02-5D-L091-ИК	TAS	7.0	8	53	91
DT170V-007.1Z08R02-5D-L091-ИК	TAS	7.1	8	53	91
DT170V-007.2Z08R02-5D-L091-ИК	TAS	7.2	8	53	91
DT170V-007.3Z08R02-5D-L091-ИК	TAS	7.3	8	53	91
DT170V-007.4Z08R02-5D-L091-ИК	TAS	7.4	8	53	91
DT170V-007.5Z08R02-5D-L091-ИК	TAS	7.5	8	53	91
DT170V-007.6Z08R02-5D-L091-ИК	TAS	7.6	8	53	91
DT170V-007.7Z08R02-5D-L091-ИК	TAS	7.7	8	53	91
DT170V-007.8Z08R02-5D-L091-ИК	TAS	7.8	8	53	91
DT170V-007.9Z08R02-5D-L091-ИК	TAS	7.9	8	53	91
DT170V-008Z08R02-5D-L091-ИК	TAS	8.0	8	53	91
DT170V-008.1Z10R02-5D-L103-ИК	TAS	8.1	10	61	103
DT170V-008.2Z10R02-5D-L103-ИК	TAS	8.2	10	61	103
DT170V-008.3Z10R02-5D-L103-ИК	TAS	8.3	10	61	103
DT170V-008.4Z10R02-5D-L103-ИК	TAS	8.4	10	61	103
DT170V-008.2Z10R02-5D-L103-ИК	TAS	8.5	10	61	103
DT170V-008.6Z10R02-5D-L103-ИК	TAS	8.6	10	61	103
DT170V-008.7Z10R02-5D-L103-ИК	TAS	8.7	10	61	103
DT170V-008.8Z10R02-5D-L103-ИК	TAS	8.8	10	61	103
DT170V-008.9Z10R02-5D-L103-ИК	TAS	8.9	10	61	103
DT170V-009Z10R02-5D-L103-ИК	TAS	9.0	10	61	103
DT170V-009.1Z10R02-5D-L103-ИК	TAS	9.1	10	61	103
DT170V-009.2Z10R02-5D-L103-ИК	TAS	9.2	10	61	103
DT170V-009.3Z10R02-5D-L103-ИК	TAS	9.3	10	61	103
DT170V-009.4Z10R02-5D-L103-ИК	TAS	9.4	10	61	103
DT170V-009.5Z10R02-5D-L103-ИК	TAS	9.5	10	61	103

DT170V...5D...IK

Твердосплавные спиральные сверла с подводом СОЖ

D±	диапазон	мм
	D ≤ 12	-0,02
D > 12	-0,03	
d±	≤ 3	+0,012 +0,002
	3 < d ≤ 6	+0,016 +0,004
	6 < d ≤ 10	+0,021 +0,006
	10 < d ≤ 18	+0,025 +0,007
	18 < d ≤ 30	+0,029 +0,008



Цилиндрический хвостовик DIN 1835A

Обозначение		Размеры, мм			
		D	d	H	L
DT170V-009.6Z10R02-5D-L103-ИК	TAS	9.6	10	61	103
DT170V-009.7Z10R02-5D-L103-ИК	TAS	9.7	10	61	103
DT170V-009.8Z10R02-5D-L103-ИК	TAS	9.8	10	61	103
DT170V-009.9Z10R02-5D-L103-ИК	TAS	9.9	10	61	103
DT170V-010.0Z10R02-5D-L103-ИК	TAS	10.0	10	61	103
DT170V-010.1Z12R02-5D-L118-ИК	TAS	10.1	12	71	118
DT170V-010.2Z12R02-5D-L118-ИК	TAS	10.2	12	71	118
DT170V-010.3Z12R02-5D-L118-ИК	TAS	10.3	12	71	118
DT170V-010.4Z12R02-5D-L118-ИК	TAS	10.4	12	71	118
DT170V-010.5Z12R02-5D-L118-ИК	TAS	10.5	12	71	118
DT170V-010.6Z12R02-5D-L118-ИК	TAS	10.6	12	71	118
DT170V-010.7Z12R02-5D-L118-ИК	TAS	10.7	12	71	118
DT170V-010.8Z12R02-5D-L118-ИК	TAS	10.8	12	71	118
DT170V-010.9Z12R02-5D-L118-ИК	TAS	10.9	12	71	118
DT170V-011.0Z12R02-5D-L118-ИК	TAS	11.0	12	71	118
DT170V-011.1Z12R02-5D-L118-ИК	TAS	11.1	12	71	118
DT170V-011.2Z12R02-5D-L118-ИК	TAS	11.2	12	71	118
DT170V-011.3Z12R02-5D-L118-ИК	TAS	11.3	12	71	118
DT170V-011.4Z12R02-5D-L118-ИК	TAS	11.4	12	71	118
DT170V-011.5Z12R02-5D-L118-ИК	TAS	11.5	12	71	118
DT170V-011.6Z12R02-5D-L118-ИК	TAS	11.6	12	71	118
DT170V-011.7Z12R02-5D-L118-ИК	TAS	11.7	12	71	118
DT170V-011.8Z12R02-5D-L118-ИК	TAS	11.8	12	71	118
DT170V-011.9Z12R02-5D-L118-ИК	TAS	11.9	12	71	118
DT170V-012.0Z12R02-5D-L118-ИК	TAS	12.0	12	71	118
DT170V-012.1Z14R02-5D-L124-ИК	TAS	12.1	14	77	124
DT170V-012.2Z14R02-5D-L124-ИК	TAS	12.2	14	77	124
DT170V-012.3Z14R02-5D-L124-ИК	TAS	12.3	14	77	124
DT170V-012.4Z14R02-5D-L124-ИК	TAS	12.4	14	77	124
DT170V-012.5Z14R02-5D-L124-ИК	TAS	12.5	14	77	124
DT170V-012.6Z14R02-5D-L124-ИК	TAS	12.6	14	77	124
DT170V-012.7Z14R02-5D-L124-ИК	TAS	12.7	14	77	124
DT170V-012.8Z14R02-5D-L124-ИК	TAS	12.8	14	77	124

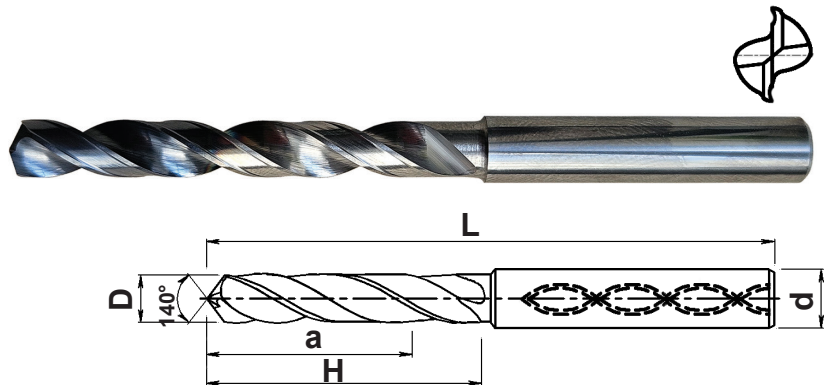
Максимальная глубина сверления a=H-1,5xD

Обозначение		Размеры, мм			
		D	d	H	L
DT170V-012.9Z14R02-5D-L124-ИК	TAS	12.9	14	77	124
DT170V-013.0Z14R02-5D-L124-ИК	TAS	13.0	14	77	124
DT170V-013.1Z14R02-5D-L124-ИК	TAS	13.1	14	77	124
DT170V-013.2Z14R02-5D-L124-ИК	TAS	13.2	14	77	124
DT170V-013.3Z14R02-5D-L124-ИК	TAS	13.3	14	77	124
DT170V-013.4Z14R02-5D-L124-ИК	TAS	13.4	14	77	124
DT170V-013.5Z14R02-5D-L124-ИК	TAS	13.5	14	77	124
DT170V-013.6Z14R02-5D-L124-ИК	TAS	13.6	14	77	124
DT170V-013.7Z14R02-5D-L124-ИК	TAS	13.7	14	77	124
DT170V-013.8Z14R02-5D-L124-ИК	TAS	13.8	14	77	124
DT170V-013.9Z14R02-5D-L124-ИК	TAS	13.9	14	77	124
DT170V-014.0Z14R02-5D-L124-ИК	TAS	14.0	14	77	124
DT170V-014.1Z16R02-5D-L133-ИК	TAS	14.1	16	83	133
DT170V-014.2Z16R02-5D-L133-ИК	TAS	14.2	16	83	133
DT170V-014.3Z16R02-5D-L133-ИК	TAS	14.3	16	83	133
DT170V-014.4Z16R02-5D-L133-ИК	TAS	14.4	16	83	133
DT170V-014.5Z16R02-5D-L133-ИК	TAS	14.5	16	83	133
DT170V-014.6Z16R02-5D-L133-ИК	TAS	14.6	16	83	133
DT170V-014.7Z16R02-5D-L133-ИК	TAS	14.7	16	83	133
DT170V-014.8Z16R02-5D-L133-ИК	TAS	14.8	16	83	133
DT170V-014.9Z16R02-5D-L133-ИК	TAS	14.9	16	83	133
DT170V-015.0Z16R02-5D-L133-ИК	TAS	15.0	16	83	133
DT170V-015.1Z16R02-5D-L133-ИК	TAS	15.1	16	83	133
DT170V-015.2Z16R02-5D-L133-ИК	TAS	15.2	16	83	133
DT170V-015.3Z16R02-5D-L133-ИК	TAS	15.3	16	83	133
DT170V-015.4Z16R02-5D-L133-ИК	TAS	15.4	16	83	133
DT170V-015.5Z16R02-5D-L133-ИК	TAS	15.5	16	83	133
DT170V-015.6Z16R02-5D-L133-ИК	TAS	15.6	16	83	133
DT170V-015.7Z16R02-5D-L133-ИК	TAS	15.7	16	83	133
DT170V-015.8Z16R02-5D-L133-ИК	TAS	15.8	16	83	133
DT170V-015.9Z16R02-5D-L133-ИК	TAS	15.9	16	83	133
DT170V-016.0Z16R02-5D-L133-ИК	TAS	16.0	16	83	133

DT170V...8D...IK

Твердосплавные спиральные сверла с подводом СОЖ

D±	диапазон	мм
	D ≤ 12	
D > 12		-0,03
d±	≤ 3	+0,012 +0,002
	3 < d ≤ 6	+0,016 +0,004
	6 < d ≤ 10	+0,021 +0,006
	10 < d ≤ 18	+0,025 +0,007
	18 < d ≤ 30	+0,029 +0,008



Цилиндрический хвостовик DIN 1835A

Обозначение		Размеры, мм			
		D	d	H	L
DT170V-003Z06R02-8D-L079-ИК	TAS	3.0	6	37	79
DT170V-003.1Z06R02-8D-L079-ИК	TAS	3.1	6	37	79
DT170V-003.2Z06R02-8D-L079-ИК	TAS	3.2	6	37	79
DT170V-003.3Z06R02-8D-L079-ИК	TAS	3.3	6	37	79
DT170V-003.4Z06R02-8D-L079-ИК	TAS	3.4	6	37	79
DT170V-003.5Z06R02-8D-L079-ИК	TAS	3.5	6	37	79
DT170V-003.6Z06R02-8D-L079-ИК	TAS	3.6	6	37	79
DT170V-003.7Z06R02-8D-L079-ИК	TAS	3.7	6	37	79
DT170V-003.8Z06R02-8D-L090-ИК	TAS	3.8	6	48	90
DT170V-003.9Z06R02-8D-L090-ИК	TAS	3.9	6	48	90
DT170V-004Z06R02-8D-L090-ИК	TAS	4.0	6	48	90
DT170V-004.1Z06R02-8D-L090-ИК	TAS	4.1	6	48	90
DT170V-004.2Z06R02-8D-L090-ИК	TAS	4.2	6	48	90
DT170V-004.3Z06R02-8D-L090-ИК	TAS	4.3	6	48	90
DT170V-004.4Z06R02-8D-L090-ИК	TAS	4.4	6	48	90
DT170V-004.5Z06R02-8D-L090-ИК	TAS	4.5	6	48	90
DT170V-004.6Z06R02-8D-L090-ИК	TAS	4.6	6	48	90
DT170V-004.7Z06R02-8D-L090-ИК	TAS	4.7	6	48	90
DT170V-004.8Z06R02-8D-L104-ИК	TAS	4.8	6	62	104
DT170V-004.9Z06R02-8D-L104-ИК	TAS	4.9	6	62	104
DT170V-005Z06R02-8D-L104-ИК	TAS	5.0	6	62	104
DT170V-005.1Z06R02-8D-L104-ИК	TAS	5.1	6	62	104
DT170V-005.2Z06R02-8D-L104-ИК	TAS	5.2	6	62	104
DT170V-005.3Z06R02-8D-L104-ИК	TAS	5.3	6	62	104
DT170V-005.4Z06R02-8D-L104-ИК	TAS	5.4	6	62	104
DT170V-005.5Z06R02-8D-L104-ИК	TAS	5.5	6	62	104
DT170V-005.6Z06R02-8D-L104-ИК	TAS	5.6	6	62	104
DT170V-005.7Z06R02-8D-L104-ИК	TAS	5.7	6	62	104
DT170V-005.8Z06R02-8D-L104-ИК	TAS	5.8	6	62	104
DT170V-005.9Z06R02-8D-L104-ИК	TAS	5.9	6	62	104
DT170V-006Z06R02-8D-L104-ИК	TAS	6.0	6	62	104
DT170V-006.1Z08R02-8D-L126-ИК	TAS	6.1	8	84	126
DT170V-006.2Z08R02-8D-L126-ИК	TAS	6.2	8	84	126

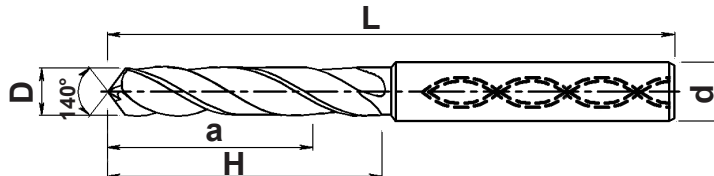
Максимальная глубина сверления a=H-1,5xD

Обозначение		Размеры, мм			
		D	d	H	L
DT170V-006.3Z08R02-8D-L126-ИК	TAS	6.3	8	84	126
DT170V-006.4Z08R02-8D-L126-ИК	TAS	6.4	8	84	126
DT170V-006.5Z08R02-8D-L126-ИК	TAS	6.5	8	84	126
DT170V-006.6Z08R02-8D-L126-ИК	TAS	6.6	8	84	126
DT170V-006.7Z08R02-8D-L126-ИК	TAS	6.7	8	84	126
DT170V-006.8Z08R02-8D-L126-ИК	TAS	6.8	8	84	126
DT170V-006.9Z08R02-8D-L126-ИК	TAS	6.9	8	84	126
DT170V-007Z08R02-8D-L126-ИК	TAS	7.0	8	84	126
DT170V-007.1Z08R02-8D-L126-ИК	TAS	7.1	8	84	126
DT170V-007.2Z08R02-8D-L126-ИК	TAS	7.2	8	84	126
DT170V-007.3Z08R02-8D-L126-ИК	TAS	7.3	8	84	126
DT170V-007.4Z08R02-8D-L126-ИК	TAS	7.4	8	84	126
DT170V-007.5Z08R02-8D-L126-ИК	TAS	7.5	8	84	126
DT170V-007.6Z08R02-8D-L126-ИК	TAS	7.6	8	84	126
DT170V-007.7Z08R02-8D-L126-ИК	TAS	7.7	8	84	126
DT170V-007.8Z08R02-8D-L126-ИК	TAS	7.8	8	84	126
DT170V-007.9Z08R02-8D-L126-ИК	TAS	7.9	8	84	126
DT170V-008Z08R02-8D-L126-ИК	TAS	8.0	8	84	126
DT170V-008.1Z10R02-8D-L152-ИК	TAS	8.1	10	106	152
DT170V-008.2Z10R02-8D-L152-ИК	TAS	8.2	10	106	152
DT170V-008.3Z10R02-8D-L152-ИК	TAS	8.3	10	106	152
DT170V-008.4Z10R02-8D-L152-ИК	TAS	8.4	10	106	152
DT170V-008.5Z10R02-8D-L152-ИК	TAS	8.5	10	106	152
DT170V-008.6Z10R02-8D-L152-ИК	TAS	8.6	10	106	152
DT170V-008.7Z10R02-8D-L152-ИК	TAS	8.7	10	106	152
DT170V-008.8Z10R02-8D-L152-ИК	TAS	8.8	10	106	152
DT170V-008.9Z10R02-8D-L152-ИК	TAS	8.9	10	106	152
DT170V-009Z10R02-8D-L152-ИК	TAS	9.0	10	106	152
DT170V-009.1Z10R02-8D-L152-ИК	TAS	9.1	10	106	152
DT170V-009.2Z10R02-8D-L152-ИК	TAS	9.2	10	106	152
DT170V-009.3Z10R02-8D-L152-ИК	TAS	9.3	10	106	152
DT170V-009.4Z10R02-8D-L152-ИК	TAS	9.4	10	106	152
DT170V-009.5Z10R02-8D-L152-ИК	TAS	9.5	10	106	152

DT170V...8D...IK

Твердосплавные спиральные сверла с подводом СОЖ

D±	диапазон	мм
	D ≤ 12	
D > 12		-0,03
d±	≤ 3	+0,012 +0,002
	3 < d ≤ 6	+0,016 +0,004
	6 < d ≤ 10	+0,021 +0,006
	10 < d ≤ 18	+0,025 +0,007
	18 < d ≤ 30	+0,029 +0,008



Цилиндрический хвостовик DIN 1835A

Обозначение		Размеры, мм			
		D	d	H	L
DT170V-009.6Z10R02-8D-L152-ИК	TAS	9.6	10	106	152
DT170V-009.7Z10R02-8D-L152-ИК	TAS	9.7	10	106	152
DT170V-009.8Z10R02-8D-L152-ИК	TAS	9.8	10	106	152
DT170V-009.9Z10R02-8D-L152-ИК	TAS	9.9	10	106	152
DT170V-010Z10R02-8D-L152-ИК	TAS	10.0	10	106	152
DT170V-010.1Z12R02-8D-L180-ИК	TAS	10.1	12	128	180
DT170V-010.2Z12R02-8D-L180-ИК	TAS	10.2	12	128	180
DT170V-010.3Z12R02-8D-L180-ИК	TAS	10.3	12	128	180
DT170V-010.4Z12R02-8D-L180-ИК	TAS	10.4	12	128	180
DT170V-010.5Z12R02-8D-L180-ИК	TAS	10.5	12	128	180
DT170V-010.6Z12R02-8D-L180-ИК	TAS	10.6	12	128	180
DT170V-010.7Z12R02-8D-L180-ИК	TAS	10.7	12	128	180
DT170V-010.8Z12R02-8D-L180-ИК	TAS	10.8	12	128	180
DT170V-010.9Z12R02-8D-L180-ИК	TAS	10.9	12	128	180
DT170V-011Z12R02-8D-L180-ИК	TAS	11.0	12	128	180
DT170V-011.1Z12R02-8D-L180-ИК	TAS	11.1	12	128	180
DT170V-011.2Z12R02-8D-L180-ИК	TAS	11.2	12	128	180
DT170V-011.3Z12R02-8D-L180-ИК	TAS	11.3	12	128	180
DT170V-011.4Z12R02-8D-L180-ИК	TAS	11.4	12	128	180
DT170V-011.5Z12R02-8D-L180-ИК	TAS	11.5	12	128	180
DT170V-011.6Z12R02-8D-L180-ИК	TAS	11.6	12	128	180
DT170V-011.7Z12R02-8D-L180-ИК	TAS	11.7	12	128	180
DT170V-011.8Z12R02-8D-L180-ИК	TAS	11.8	12	128	180
DT170V-011.9Z12R02-8D-L180-ИК	TAS	11.9	12	128	180
DT170V-012Z12R02-8D-L180-ИК	TAS	12.0	12	128	180
DT170V-012.1Z14R02-8D-L202-ИК	TAS	12.1	14	151	202
DT170V-012.2Z14R02-8D-L202-ИК	TAS	12.2	14	151	202
DT170V-012.3Z14R02-8D-L202-ИК	TAS	12.3	14	151	202
DT170V-012.4Z14R02-8D-L202-ИК	TAS	12.4	14	151	202
DT170V-012.5Z14R02-8D-L202-ИК	TAS	12.5	14	151	202
DT170V-012.6Z14R02-8D-L202-ИК	TAS	12.6	14	151	202
DT170V-012.7Z14R02-8D-L202-ИК	TAS	12.7	14	151	202
DT170V-012.8Z14R02-8D-L202-ИК	TAS	12.8	14	151	202

Максимальная глубина сверления a=H-1,5xD

Обозначение		Размеры, мм			
		D	d	H	L
DT170V-012.9Z14R02-8D-L202-ИК	TAS	12.9	14	151	202
DT170V-013Z14R02-8D-L202-ИК	TAS	13.0	14	151	202
DT170V-013.1Z14R02-8D-L202-ИК	TAS	13.1	14	151	202
DT170V-013.2Z14R02-8D-L202-ИК	TAS	13.2	14	151	202
DT170V-013.3Z14R02-8D-L202-ИК	TAS	13.3	14	151	202
DT170V-013.4Z14R02-8D-L202-ИК	TAS	13.4	14	151	202
DT170V-013.5Z14R02-8D-L202-ИК	TAS	13.5	14	151	202
DT170V-013.6Z14R02-8D-L202-ИК	TAS	13.6	14	151	202
DT170V-013.7Z14R02-8D-L202-ИК	TAS	13.7	14	151	202
DT170V-013.8Z14R02-8D-L202-ИК	TAS	13.8	14	151	202
DT170V-013.9Z14R02-8D-L202-ИК	TAS	13.9	14	151	202
DT170V-014Z14R02-8D-L202-ИК	TAS	14.0	14	151	202
DT170V-014.1Z16R02-8D-L227-ИК	TAS	14.1	16	172	227
DT170V-014.2Z16R02-8D-L227-ИК	TAS	14.2	16	172	227
DT170V-014.3Z16R02-8D-L227-ИК	TAS	14.3	16	172	227
DT170V-014.4Z16R02-8D-L227-ИК	TAS	14.4	16	172	227
DT170V-014.5Z16R02-8D-L227-ИК	TAS	14.5	16	172	227
DT170V-014.6Z16R02-8D-L227-ИК	TAS	14.6	16	172	227
DT170V-014.7Z16R02-8D-L227-ИК	TAS	14.7	16	172	227
DT170V-014.8Z16R02-8D-L227-ИК	TAS	14.8	16	172	227
DT170V-014.9Z16R02-8D-L227-ИК	TAS	14.9	16	172	227
DT170V-015Z16R02-8D-L227-ИК	TAS	15.0	16	172	227
DT170V-015.1Z16R02-8D-L227-ИК	TAS	15.1	16	172	227
DT170V-015.2Z16R02-8D-L227-ИК	TAS	15.2	16	172	227
DT170V-015.3Z16R02-8D-L227-ИК	TAS	15.3	16	172	227
DT170V-015.4Z16R02-8D-L227-ИК	TAS	15.4	16	172	227
DT170V-015.5Z16R02-8D-L227-ИК	TAS	15.5	16	172	227
DT170V-015.6Z16R02-8D-L227-ИК	TAS	15.6	16	172	227
DT170V-015.7Z16R02-8D-L227-ИК	TAS	15.7	16	172	227
DT170V-015.8Z16R02-8D-L227-ИК	TAS	15.8	16	172	227
DT170V-015.9Z16R02-8D-L227-ИК	TAS	15.9	16	172	227
DT170V-016Z16R02-8D-L227-ИК	TAS	16.0	16	172	227



Россия
СКИФ-М ООО
308009 Белгород
ул. Волчанская 159
Тел.: +7 4722-213285
+7 4722-217078
Факс: +7 4722-568149
E-mail: info@skif-m.net
Internet www.skif-m.net

